



**NAPCO**  
 NAPCO SECURITY SYSTEMS, INC.  
 333 BAYVIEW AVENUE  
 AMITYVILLE, NEW YORK 11701

SALES, REPAIRS & TECHNICAL SERVICE  
 TOLL FREE: (800) 645-9445

**INSTALLATION INSTRUCTIONS**

**EZM2004, EZM2008  
 ZONE EXPANSION MODULES  
 for the MA2600**

© Napco 1992

WI429A 6/92

*UL Listed: Household Fire & Burglary Warning System Control Unit Accessory*

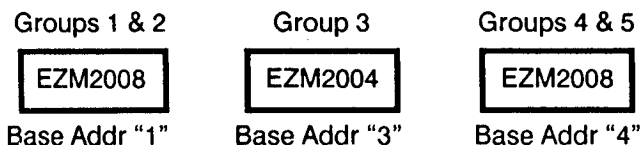
**DESCRIPTION**

Using zone expansion modules, the capacity of the MA2600 control panel may be expanded to up to 64 zones. The EZM2004 provides up to 4 additional zones; the EZM2008 up to 8 additional zones. EZM2004 and EZM2008 modules may be combined as necessary to supply the required number of zones.

**MODULE ASSIGNMENT**

Regardless of how the modules are arranged, the expansion zones are divided into consecutively-numbered groups of four. Each EZM2004 comprises one group of four zones; each EZM2008 comprises two groups. Every module must be assigned a unique "base address". In the case of the EZM2004, the module base address number is the same as its group number. For the EZM2008, the base address number is the lower of its two group numbers. Note that (a) groups must be numbered consecutively (that is, missing numbers are not permitted); and (b) no two modules may be numbered alike.

*Example.* Two EZM2008s and one EZM2004 are used to provide 20 expansion zones:



The base address is assigned to the module by setting the 4-section jumper block near the upper-right corner of the circuit board as shown in Table 1. (Refer to the *Zone Wiring Diagram*.)

**WIRING**

Wire the expansion zones to the module and the module to the control panel in accordance with the wiring diagrams using wire no thinner than #22 AWG.

**Note:** The addition of Zone Expansion Modules will reduce the amount of current available at the Auxiliary Power Output Terminals (12 and 13) in the MA2600. Refer to the Zone-Expansion-Module table in the MA2600 Installation Manual for available output current as a function of number of modules and keypads.

Base Address	Jumper Block*			
	8	4	2	1
1	OFF	OFF	OFF	ON
2	OFF	OFF	ON	OFF
3	OFF	OFF	ON	ON
4	OFF	ON	OFF	OFF
5	OFF	ON	OFF	ON
6	OFF	ON	ON	OFF
7	OFF	ON	ON	ON
8	ON	OFF	OFF	OFF
9	ON	OFF	OFF	ON
10	ON	OFF	ON	OFF
11	ON	OFF	ON	ON
12	ON	ON	OFF	OFF

Table 1. Jumper emplacement as a function of Base Address.  
 \*Use all jumpers. Place in either "ON" or "OFF" position.

**PROGRAMMING**

Enter the total number of expansion groups in Location 996. Refer to the MA2600 Keypad Programming Sheet PF164.

**TAMPER**

If the cover is removed, the keypad sounder will pulse and the display will first read [ TAMPER ], then [ZONE MODULE XX]. Press [RESET] to silence the sounder. To clear the display, first arm, then disarm.

**LOOP RESPONSE**

Loop response times for Zones 1 through 16 are programmed in the MA2600. Normal loop response for all expansion zones is 750mS. To reduce the response time of an expansion zone to 50mS, cut the respective component at the upper-left corner of the board.

**STATUS LED**

The STATUS LED displays the condition of the zone module. The LED will blink every few seconds to indicate that each 4-zone group is operating normally. The EZM2004 will blink once; the EZM2008 LED will blink once for the first group, then double-blink shortly thereafter for the second. See *TROUBLESHOOTING* for other indications.

**"E" LUGS (Not tested by UL)**

**Lug E1.** For use with auxiliary equipment. Lug E1 will go low (0Vdc) when the panel is armed.

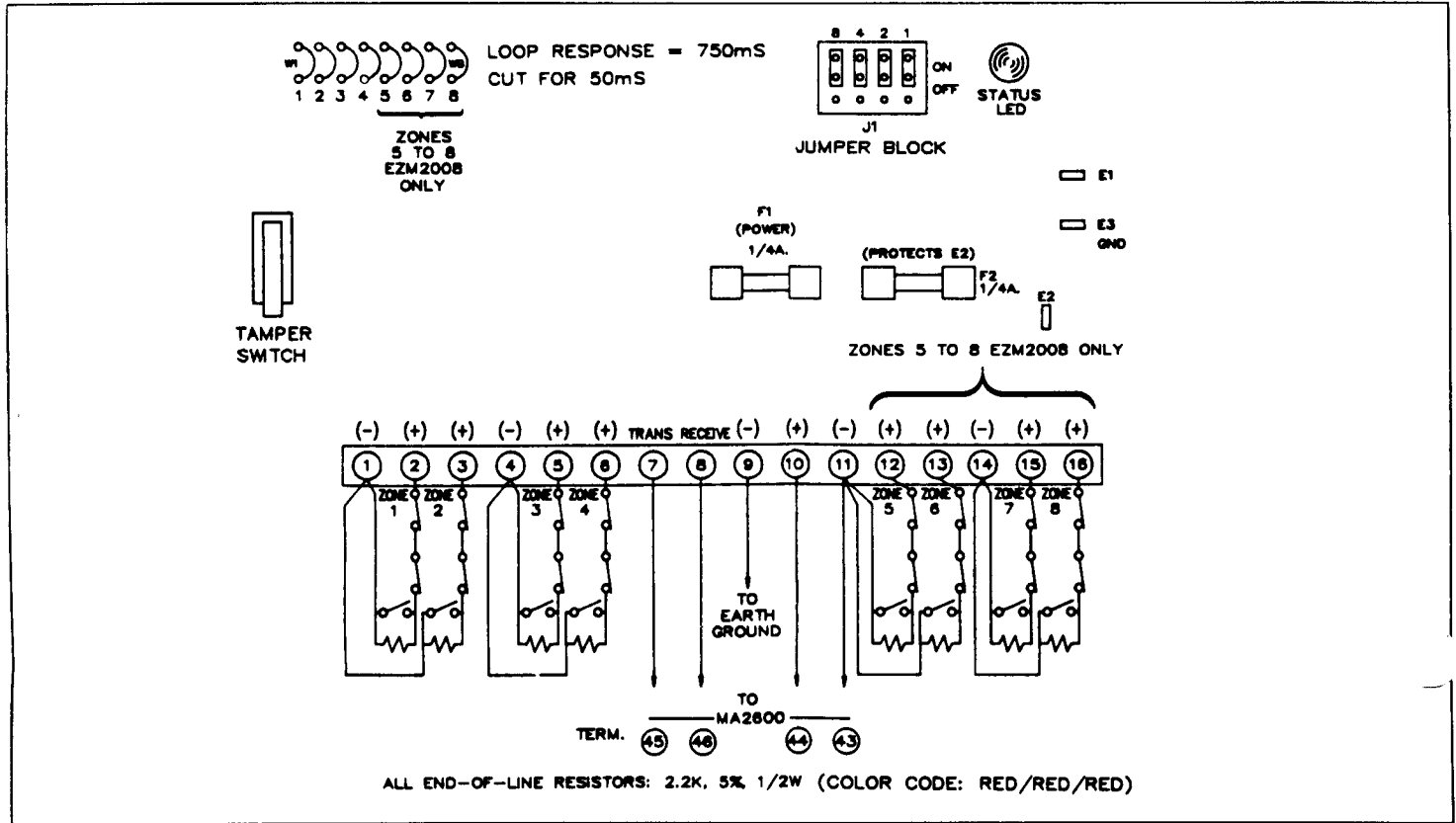
**Lug E2.** Reserved for possible future use. Do not make connection to E2 at this time.

**Lug E3.** Lug E3 is ground.

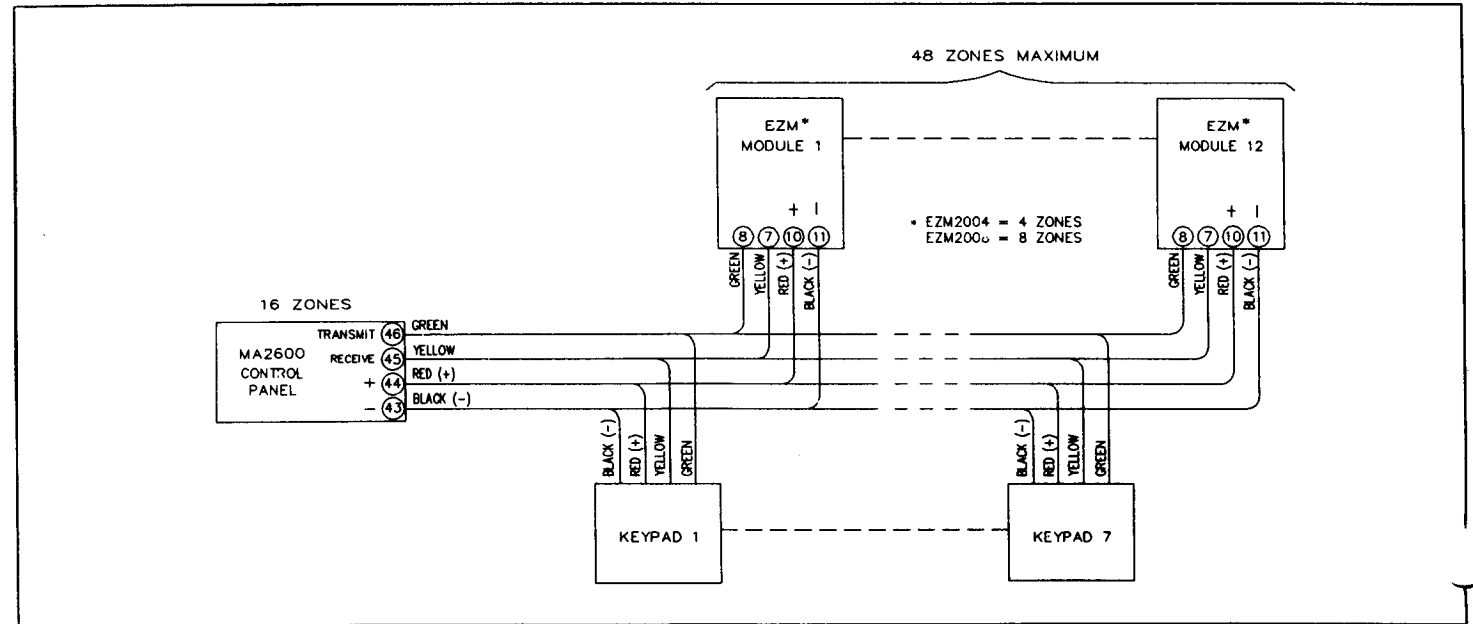
**TROUBLESHOOTING**

- A steady STATUS LED is most likely caused by loss of data reception from the control panel at the module's Terminal 8.
- No illumination is most likely due to a loss of power at Terminals 10 and/or 11.

**WIRING DIAGRAMS**



**EZM2004/EZM2008 Zone Wiring Diagram.**



**System Wiring for up to 64 Zones.**